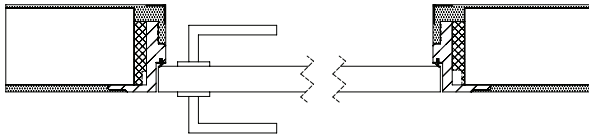


# Under-Cover Doorframes



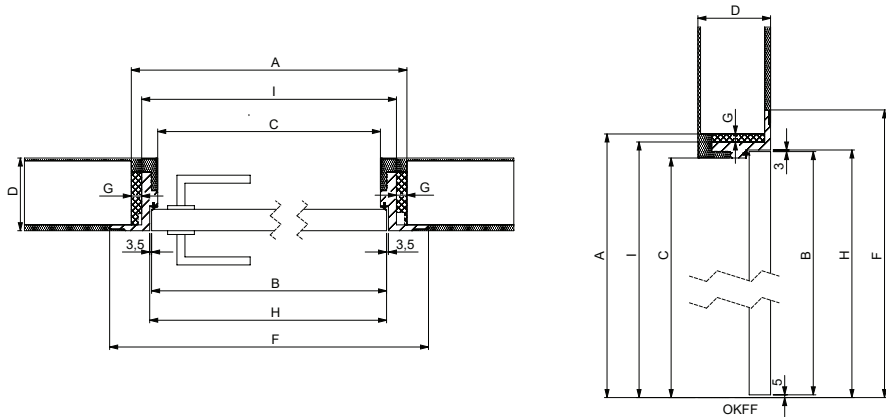
## Single door

	A Structural wall opening		B Door dimension		H UC rebate size		F Frame outer dimension			I Frame outer edge dimension			C Clearance dimension		
	+ 76 mm		0		+ 7 mm		+ 157 mm			+ 37 mm			- 23 mm		
Width	Height	x	Width	Height	x	Width	Height	x	Width	Height	x	Width	Height	x	Width
		660		584		591		741		621		561			
		785		709		716		866		746		686			
		910		834		841		991		871		811			
		1035		959		966		1116		996		936			
		1160		1084		1091		1241		1121		1061			
		1285		1209		1216		1366		1246		1186			

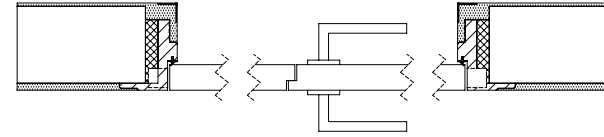
	+ 38 mm		0		+ 8 mm		+ 83 mm			+ 23 mm			- 7 mm		
Height	2053		2015		2023		2098		2038		2008				
	2153		2115		2123		2198		2138		2108				
	2260		2222		2230		2305		2245		2215				
	2385		2347		2355		2430		2370		2340				
	2510		2472		2480		2555		2495		2465				
	2635		2597		2605		2680		2620		2590				
	2760		2722		2730		2805		2745		2715				
	2885		2847		2855		2930		2870		2840				
	3010		2972		2980		3055		2995		2965				

Unfinished wall thickness minimum 115 mm  
Dimensions without chiseling

For mounting with a metal stud wall / dry wall please use a reinforced U profile with wood.  
The profile must be screwed at the bottom and at the ceiling.



OKFF = Oberkante Fertig Fußboden  
Top finished floor



## Double door

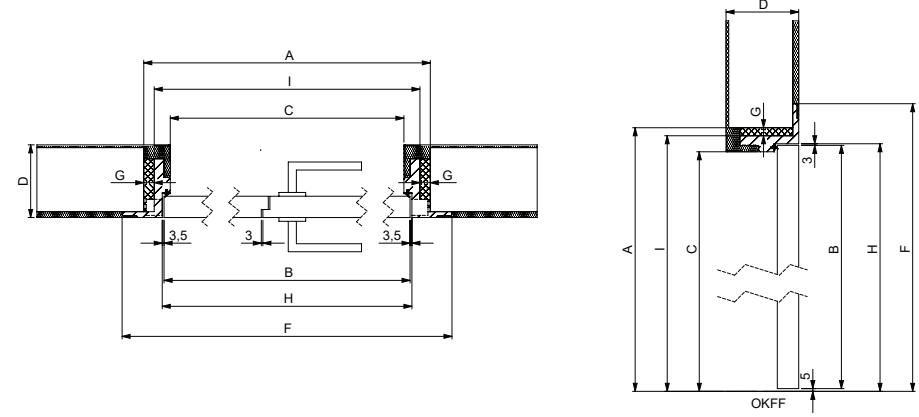
	A Structural wall opening		B Door dimension		H UC rebate size		F Frame outer dimension			I Frame outer edge dimension			C Clearance dimension		
	+ 86 mm		0		+ 7 mm		+ 157 mm			+ 37 mm			- 23 mm		
Width	Height	x	Width	Height	x	Width	Height	x	Width	Height	x	Width	Height	x	Width
		1520		1434		1441		1591		1471		1411			
		1770		1684		1691		1841		1721		1661			
		2020		1934		1941		2091		1971		1911			

	+ 38 mm		0		+ 8 mm		+ 83 mm			+ 23 mm			- 7 mm		
Height	2053		2015		2023		2098		2038		2008				
	2158		2115		2123		2198		2138		2108				
	2265		2222		2230		2305		2245		2215				
	2390		2347		2355		2430		2370		2340				
	2515		2472		2480		2555		2495		2465				
	2640		2597		2605		2680		2620		2590				
	2765		2722		2730		2805		2745		2715				
	2890		2847		2855		2930		2870		2840				
	3015		2972		2980		3055		2995		2965				

\* 2 x 722 mm  
\* 2 x 847 mm  
\* 2 x 972 mm

Unfinished wall thickness minimum 115 mm  
Dimensions without chiseling

For mounting with a metal stud wall / dry wall please use a reinforced U profile with wood.  
The profile must be screwed at the bottom and at the ceiling.



OKFF = Oberkante Fertig Fußboden  
Top finished floor